



## SCETADP3535

EL. HEIGHT ADJUSTABLE SYSTEM WITH FLOOR PLATE

**Factory:**

Conen Produkte GmbH & Co. KG  
Conenstr. 4  
54497 Morbach-Gonzerath  
Germany

**International sales department:**

Mr. Luc van der Sterren  
Office: +49 65 33 75 311  
Cell: +31 612 495 098  
Email: [Luc@conenmounts.com](mailto:Luc@conenmounts.com)

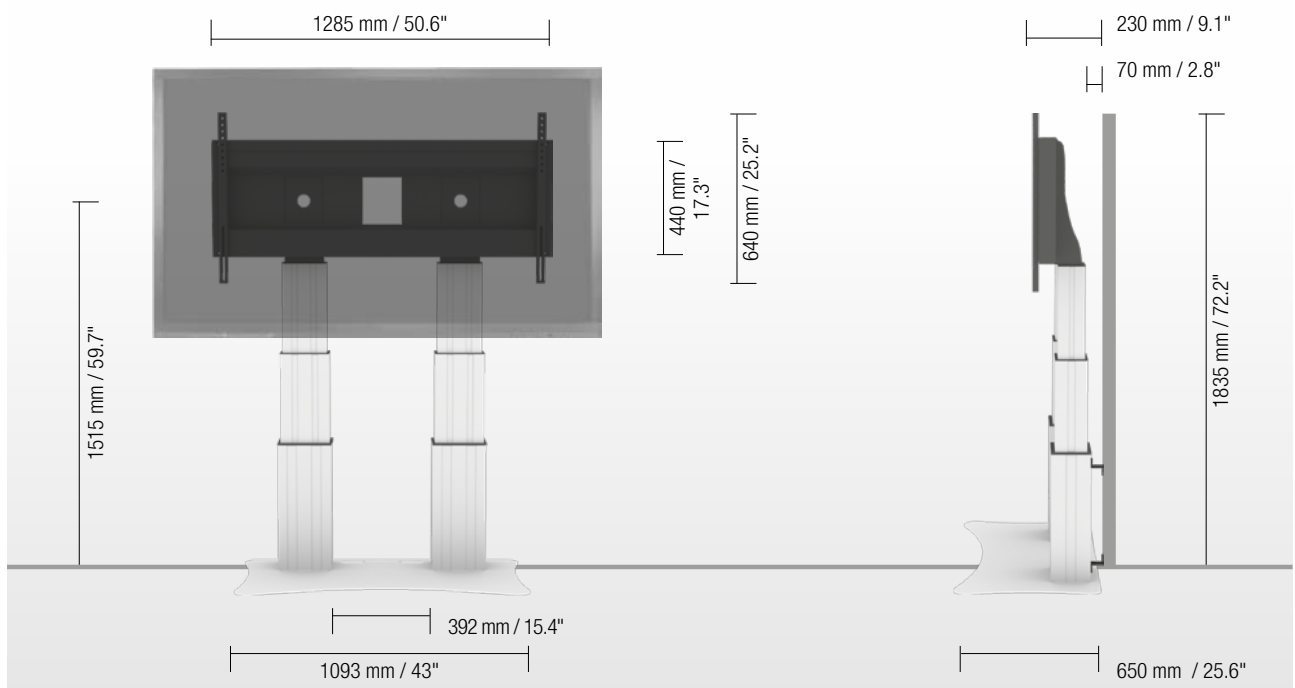
Mr. Arnaud Gielen  
Office: +49 6533 75 310  
Cell: +49 172 655 84 61  
Email: [Arnaud@conenmounts.com](mailto:Arnaud@conenmounts.com)



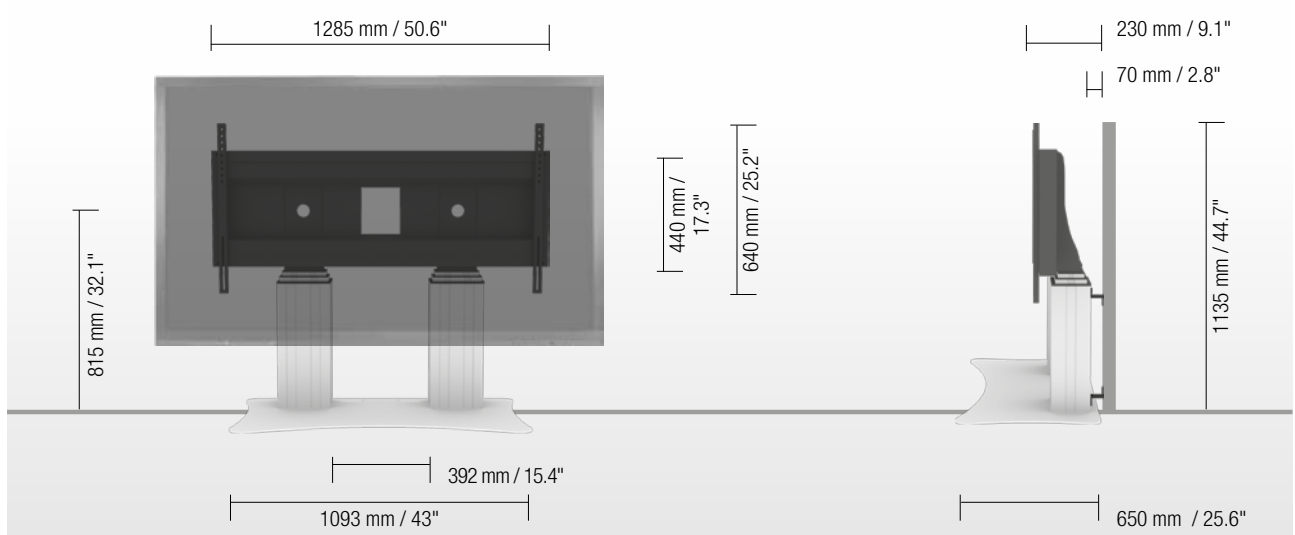
PRODUCT FEATURES

- ◆ 2 electrical height adjustable columns, natural anodized
- ◆ 700 mm / 27.6" height adjustment
- ◆ XL-floor plate made of 8 mm / 0.3" strong steel, powder-coated, RAL 9006 white aluminum
- ◆ XL-display mount for use with 70" – 120" display
- ◆ VESA 300 x 200 up to 1200 x 600
- ◆ Maximum load approximately 250 kg / 551.2 lbs
- ◆ Incl. wall brackets (70 mm / 2.8")

HIGHEST POSITION



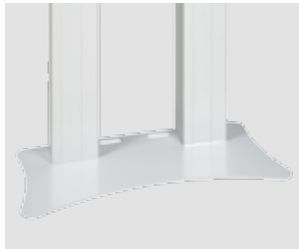
LOWEST POSITION



DETAIL VIEWS



Pull & release locking brackets for easier mounting of display



XL-floor plate



Wired remote control

AVAILABLE ACCESSORIES



Side shelf

LAP4-..



Lockable mini PC bracket

MINI-FUJI



Video conference camera top shelf

VCTSCETA



Foot remote control

REM-FOOT



Extender (200 mm / 7.9")

CCEL-EXT20



2 box holders (boxes on request)

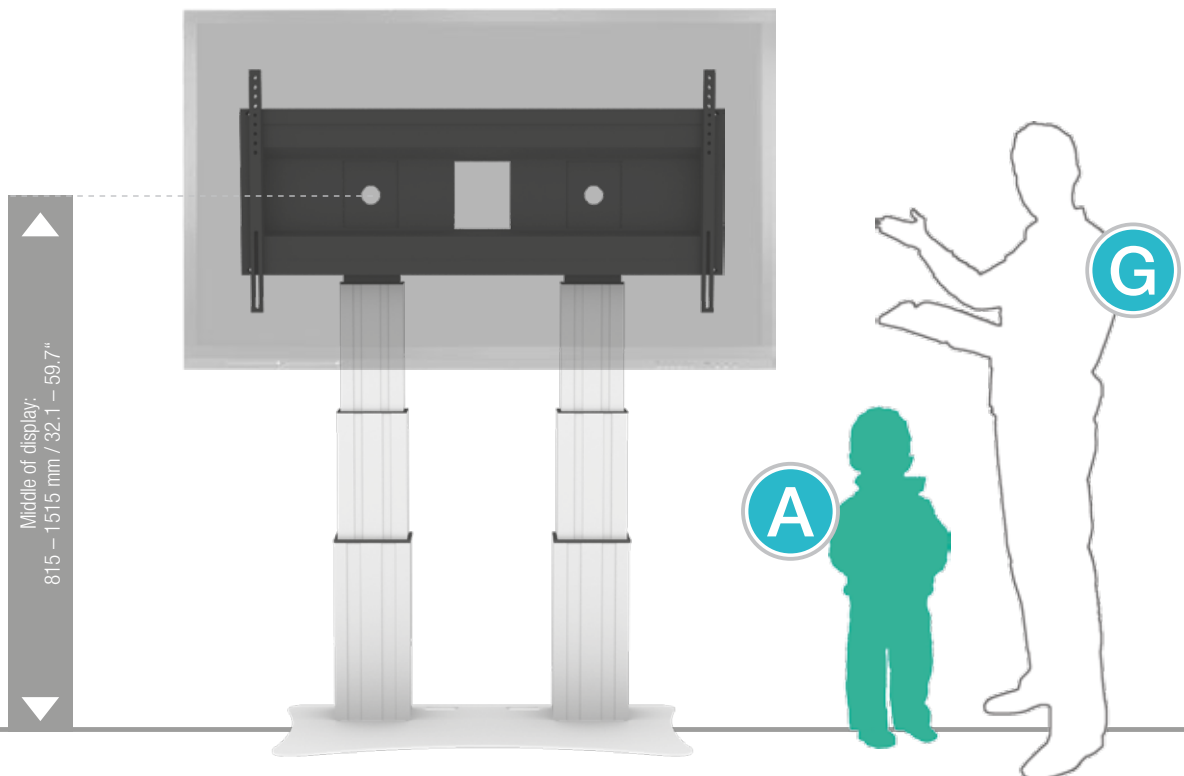
SCETA-ETH (C2-HB)



Display securing padlock

SCHLIESS-VH

SIZE INDEX



Department	Kindergarten			Primary school		Secondary school		Adults
	A	B	C	D	E	F	G	
Silhouette	A	B	C	D	E	F	G	
Age (years)	2 – 3	3 – 4	4 – 7	6 – 11	11 – 14	13 – 16	from 16	
Body size (mm / ")	930 – 980 37 – 38.6	1080 – 1210 42.5 – 47.6	1190 – 1420 46.9 – 56	1330 – 1590 52.4 – 62.6	1460 – 1765 57.5 – 69.5	1590 – 1880 62.6 – 74	1740 – 2070 68.5 – 81.5	
Color	Green	Purple	Yellow	Red	Light Green	Blue		

PACKING UNITS

Item no.	Description	Packing dimensions (mm / ")	Net weight (kg / lbs)	Gross weight (kg / lbs)
CCE3535WD	2 x electrical height adjustable column, 2 x 350 mm / 13.8" height adjustment, L = 585 mm / 23"	2 x 760 x 270 x 220 / 29.9 x 10.6 x 8.7	2 x 21,2 / 46.7	2 x 24 / 52.9
AFSCETAND	XL-display mount	1295 x 160 x 450 / 51 x 6.3 x 17.1	15 / 33.1	18 / 39.7
PSTSCETAD	XL-floor plate	30 x 750 x 800 / 1.2 x 29.5 x 31.5	30 / 1.2	32 / 1.3
Total weight			87,4 / 192.7	98 / 216.1