



SCETATI46

TABLESYSTEM WITH FIXED HEIGHT AND C-MOBILE STAND

Factory:

Conen Produkte GmbH & Co. KG
Conenstr. 4
54497 Morbach-Gonzerath
Germany

International sales department:

Mr. Luc van der Sterren
Office: +49 65 33 75 311
Cell: +31 612 495 098
Email: Luc@conenmounts.com

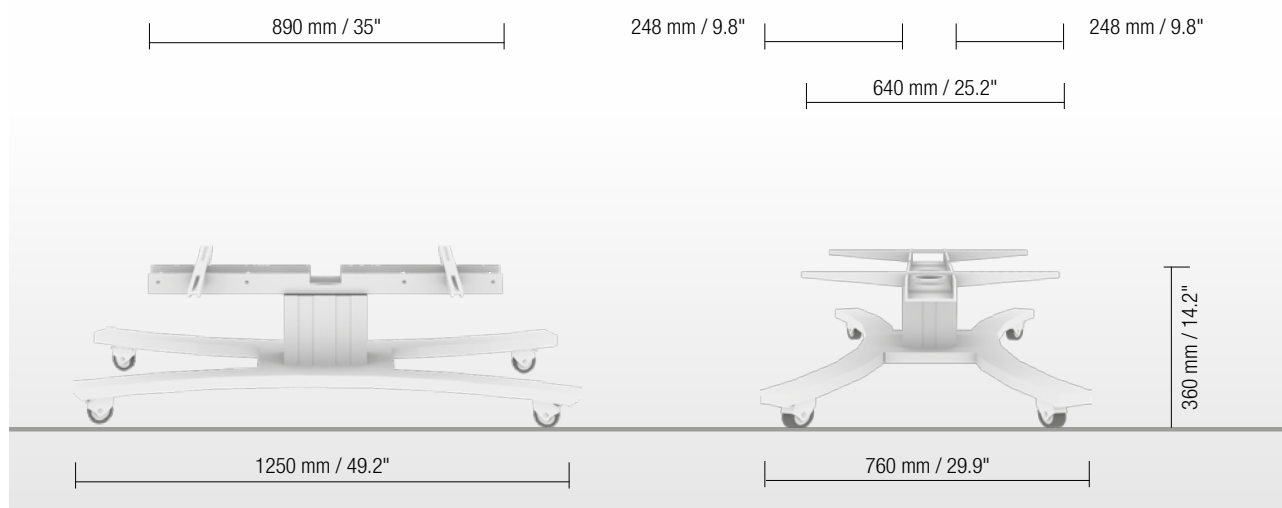
Mr. Arnaud Gielen
Office: +49 6533 75 310
Cell: +49 172 655 84 61
Email: Arnaud@conenmounts.com



PRODUCT FEATURES

- ◆ Column, natural anodized
- ◆ Column height: 360 mm / 14.2"
- ◆ C-shaped mobile stand with four heavy duty castors – two with brakes, RAL 9006 white aluminum
- ◆ Display mount for use with 42" – 75"
- ◆ VESA 400 x 200 up to 800 x 600
- ◆ Maximum load approximately 150 kg / 330.7 lbs

DIMENSIONS



DETAIL VIEWS



C-shaped mobile stand



Smooth running & lockable castors

AVAILABLE ACCESSORIES



Side shelf

LAP4-..



Lockable mini PC bracket

MINI-FUJI



2 box holders (boxes on request)

SCETA-ETH (C2-HB)

SIZE INDEX



| Department | Kindergarten | | | Primary school | | Secondary school | | Adults |
|--------------------|------------------------|----------------------------|--------------------------|----------------------------|----------------------------|--------------------------|----------------------------|--------|
| | A | B | C | D | E | F | G | |
| Silhouette | | | | | | | | |
| Age (years) | 2 – 3 | 3 – 4 | 4 – 7 | 6 – 11 | 11 – 14 | 13 – 16 | from 16 | |
| Body size (mm / ") | 930 – 980 37 – 38.6 | 1080 – 1210 42.5 – 47.6 | 1190 – 1420 46.9 – 56 | 1330 – 1590 52.4 – 62.6 | 1460 – 1765 57.5 – 69.5 | 1590 – 1880 62.6 – 74 | 1740 – 2070 68.5 – 81.5 | |
| Color | | | | | | | | |

PACKING UNITS

| Item no. | Description | Packing dimensions (mm / ") | Net weight (kg / lbs) | Gross weight (kg / lbs) |
|--------------|---|--------------------------------------|-----------------------|-------------------------|
| CC170 | Column, column height: 460 mm / 18.1", L = 170 mm / 6.7" | 200 x 220 x 220 / 7.9 x 8.7 x 8.7 | 1,9 / 4.2 | 4,8 / 10.6 |
| AF-SCETA-TI | Display mount | 940 x 200 x 80 / 37 x 7.9 x 3.2 | 11 / 24.3 | 13,5 / 29.8 |
| MST-SCETA-C | C-shaped mobile stand | 1350 x 780 x 120 / 53.1 x 30.7 x 4.7 | 12,8 / 28.2 | 15,5 / 34.2 |
| Total weight | | | 25,7 / 56.7 | 33,8 / 74.6 |